

# STRIA™

## LINEAR LIGHTING MODULE

STRIA

### DESCRIPTION

#### A General

Small profile, self-trimming linear lighting fixture for delineation of corridors, divider wall caps, and other applications; two nesting extrusions enclose light strip; fabricated in lengths up to 120" (3048mm)

#### B Special Features

Inner extrusion easily removed from outer extrusion for lamp change; lamps may be mounted 2" (51mm) or 4" (102mm) on-center

#### C Effects devices

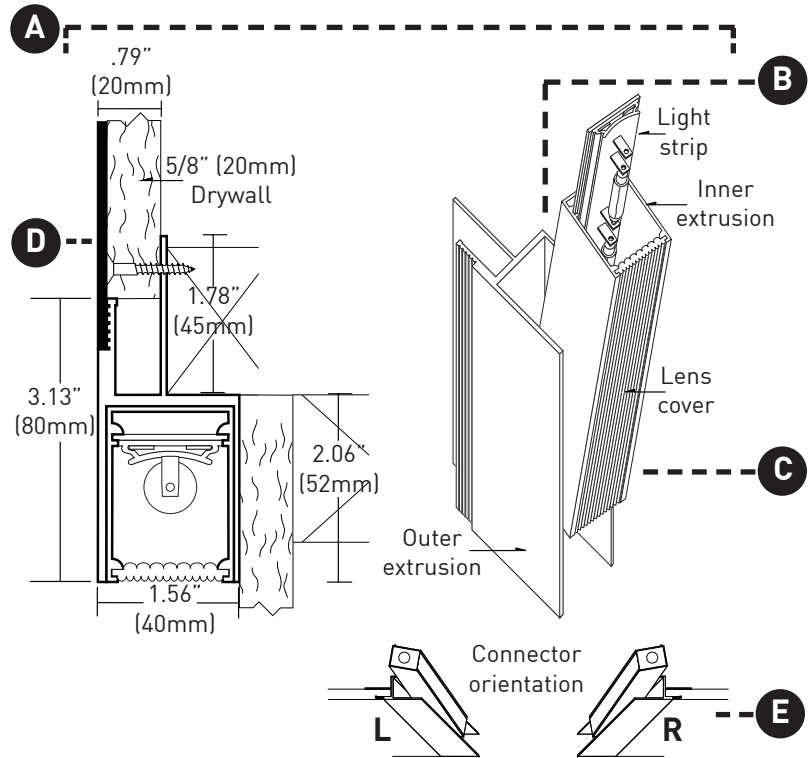
Polycarbonate diffusion lens cover standard; frosted, non-ribbed lens cover may be specified in place of standard lens cover

#### D Mounting

Outer extrusion designed as a "self-trimming" offset lighting cove; readily accepts up to 5/8" (16mm) drywall/ plasterboard; ribbed "plaster lock" flange allows convenient taping and floating for seam free finish

#### E Connection

Specify left or right side electrical connector orientation



### TECHNICAL

#### CONSTRUCTION

**Housing:** Inner and outer housings are extruded aluminum; light strip is supported by a steel carrier strip; lens cover is extruded polycarbonate

**Light Strip:** Polyethersulfone thermoplastic with solid brass conductors

#### ELECTRICAL

Fixture is rated at 20 amps and comes complete with terminal block and fitting support for hardwire connection to power supply. Fixture is compatible with 12V power supply (order separately) sized appropriately for the application.

#### LAMPS

Stria utilizes 3W incandescent festoon lamps only. 2450 °K color temperature. Average rated lamp life is 4,000 hours. Standard lamp spacing is 2" (51mm) on-center.

#### LISTING

ETL listed for dry/damp locations; CE marked

#### WARRANTY

Manufacturer's one year warranty guarantees product(s) listed to be free from defects in material workmanship under normal use and service. Warranty is conditional upon use of manufacturer supplied transformer or ballast.

### ORDERING INFORMATION

Example: STR-W-072-L-D-12-03-IC

| SERIES    | FINISH  | LENGTH     | CONNECTOR ORIENTATION       | LENS COVER               | LAMP   |
|-----------|---|------------|-----------------------------|--------------------------|--|
| STR STRIA | A Clear Anodized Aluminum<br>W Matte white powdercoat<br>B Matte black powdercoat | in inches* | L Left side<br>R Right side | D Diffusion<br>F Frosted | 12-03-IC 3W incandescent clear<br>12-03-IF 3W incandescent frosted |

\* Custom cut-to length provided by specifier; max length 120" (3048mm)



luciferlighting.com

©2009 Lucifer Lighting Company  
As part of its policy of continuous research and product development, the company reserves the right to change or withdraw specifications without prior notice.

3750 IH35 North  
San Antonio, Texas 78219  
[PH] +1-210-227-7329  
[FAX] +1-210-227-4967