



CYLA2 [LEDX]

CYLINDER LED LUMINAIRE
SURFACE MOUNT ADJUSTABLE

CYLA2 [LEDX]

PROVISIONAL

DESCRIPTION

A LED

Remote phosphor dimmable LED module in aluminum and glass casing

B Special Features

Die-cast aluminum body; tapered aperture for increased efficiency; regressed light source; 45° tilt and 361° rotation; toolless adjustment that holds position with precision friction lock (rotation via base); may be mounted to ceiling as downlight or floor as uplight

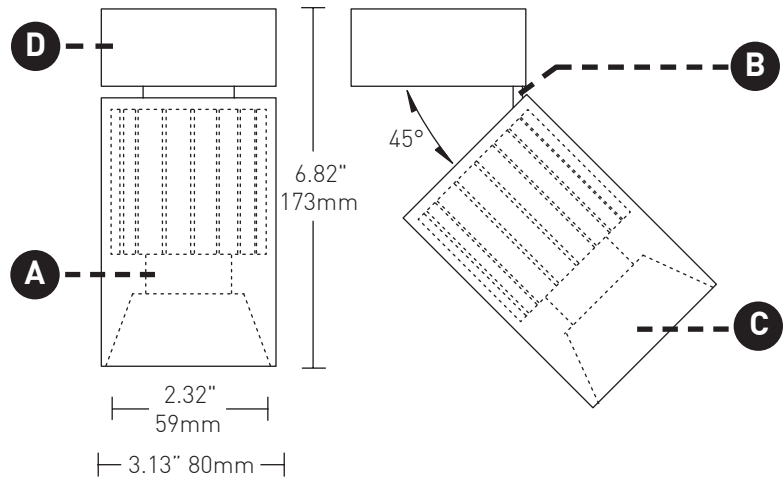
C Optics/ Effects Devices

Proprietary optic system, smooth beam without need for soft focus lens; internal mechanism allows for 1 effects device

D Mounting

Surface mounted:

- Available with custom j-box that accepts fixture base with matching diameter for uniform transition
- May be specified to mount to standard j-box for installations where visible j-box is desired
- Available with finished plate that mounts between fixture and j-box for installations where standard j-box is to be concealed



TECHNICAL

CONSTRUCTION

Die-cast aluminum body; extruded aluminum internal heat-sink; painted finishes are granulated powder coat.

LED

Xicato LED module available in configurations of 80+ CRI: 1000 and 1300 lumen packages (consult factory on availability of 95+ CRI packages). Lumen packages denote raw LED initial lumens. Delivered lumens vary. Color temperatures are 2700K (+/- 40K), 3000K (+/- 50K), 3500K (+/- 60K) and 4000K (+/- 70K), with beam optic configurations of 20°, 40° and 60°. Average rated lamp life: 50,000 hours. LED/ heat-sink module field replaceable.

Consult factory for availability of cylinder models accommodating higher output lumen packages.

DIMMING PROTOCOL

Triac dims to nominal 10% lm output. Consult factory with questions about particular dimming systems.

LISTING

Listing pending; IP10 rated; patent pending design.

WARRANTY

Five year warranty on LED lamp module and driver. One year warranty on all other Lucifer Lighting provided system components. Consult factory for full warranty guidelines.

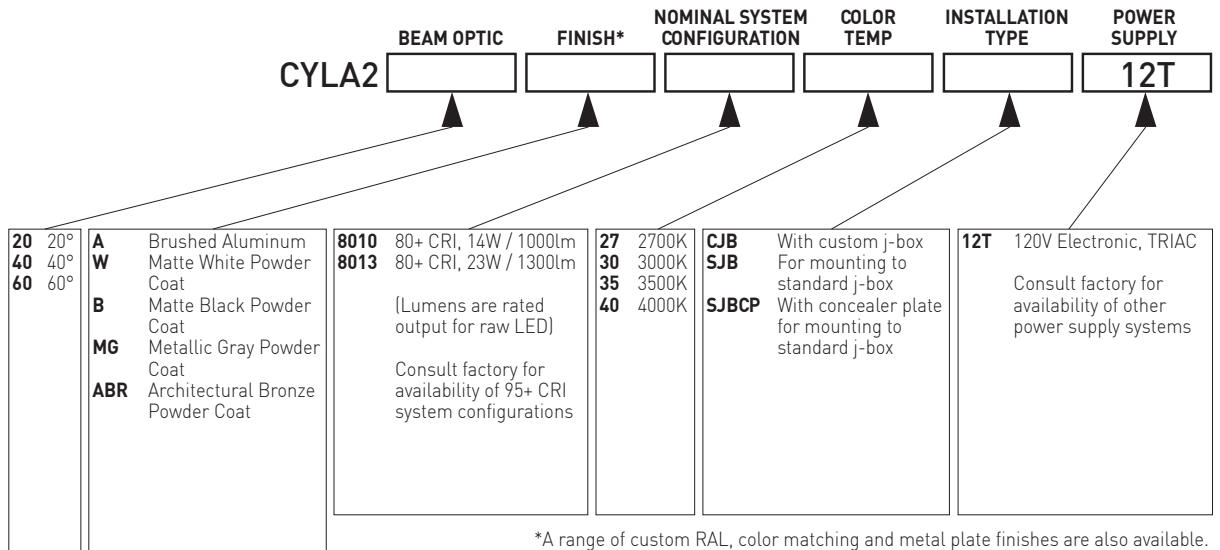
LED/ OPTIC DISTINGUISHING FEATURES

Color Consistency	1x2 SDCM
Standard Series 80+ CRI	R9=16, R13= 81 ,R15=75
Construction	Aluminum & glass; IP66 (module)
Beam Configuration	Reflectors field interchangeable

FIXTURE DISTINGUISHING FEATURES

Construction	Die-cast aluminum body
Finishes	Granulated powder coat or treated metals
Aperture	Tapered; regressed light source
Adjustment	Hot-Aim: 45° tilt and 361° rotation
Light Tuning	Accepts 1 effects devices

Example Model Number: CYLA2 20 A 8013 30 CJB 12T



ORDERING (ACCESSORIES)

EFFECTS DEVICES

- | | |
|---|---|
| <p><input type="checkbox"/> AGL-CYL2 Amber Glass Lens</p> <p><input type="checkbox"/> CGL-CYL2 Clear Glass Lens</p> <p><input type="checkbox"/> FGL-CYL2 Frosted Glass Lens</p> <p><input type="checkbox"/> HCL-CYL2 Honeycomb Louver</p> | <p><input type="checkbox"/> LSL-CYL2 Linear Spread Lens</p> <p><input type="checkbox"/> SGL-CYL2 Spread Lens</p> <p><input type="checkbox"/> WTL-CYL2 Warm Tone Lens</p> |
|---|---|