



DLRA3 [LEDX]

RECESSED LED DOWNLIGHT
ROUND ADJUSTABLE

DLRA3 [LEDX]

IN DEVELOPMENT
Shipping July 2014

DESCRIPTION

A LED

Remote phosphor dimmable LED module in aluminum and glass casing

B Special Features

Die-cast wide aperture; Professional Baffle minimizes aperture glare; 45° tilt and 361° rotation that is hot-aim adjustable and lockable from below; optimized tilting mechanism to maintain center beam optics throughout adjustment

C Effects Devices

Soft focus lens included; adjustable yoke allows secure placement of up to 2 effects devices; [add .16" to fixture height with use of each effects device]

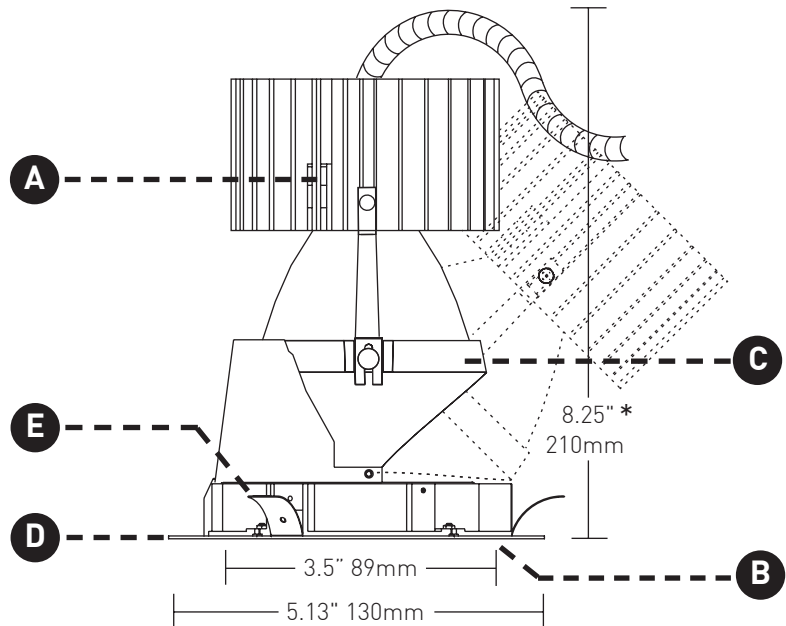
D Trim Plate

Thickness measures .055"; install as zero-sightline or flange overlay

E Retention

Engineered torsion spring clips accommodate varying ceiling thicknesses and ensure snug fit of trim against ceiling

* In certain conditions where lower than standard wattages are required, shallower recess depth may be available. Consult factory for details.



TECHNICAL

CONSTRUCTION

Steel and aluminum; extruded aluminum heat-sink; painted finishes are granulated powder coat; optional chrome and plated finishes.

LED/ OPTIC

Xicato module available in configurations of 80+ CRI: 1300 and 2220 lumen packages, and 95+ CRI: 1000 and 1300 lumen packages. Lumen packages denote raw LED initial lumens. Delivered lumens vary by fixture. Color temperatures are 2700K (+/- 40K), 3000K (+/- 50K), 3500K (+/- 60K) and 4000K (+/- 70K), with beam angles of 20°, 40° and 60°. Average rated lamp life: 50,000 hours. LED/ heat-sink module field replaceable.

EMERGENCY LIGHTING

Remote emergency batteries available. Consult factory for information.

DIMMING PROTOCOL

Analog 0-10 and Triac dim to nominal 10% lm output; Lutron system dims to nominal 1% lm output. Consult factory for guidance on particular dimming systems.

LISTING

Listing pending; IP10 rated; patent pending design.

WARRANTY

Five year warranty on LED lamp module and driver. One year warranty on all other Lucifer Lighting provided system components. Consult website for full warranty terms and conditions.

LED DISTINGUISHING FEATURES

Color Consistency	1x2 SDCM
Phosphor Architecture	Remote Phosphor
Standard Series 80+ CRI	R9=16, R13= 81 ,R15=75
Artist Series 95+ CRI	R9=98, R13=98, R15=98
Module Nominal lm/watt	1300lm (73lm/watt), 2220lm (77lm/watt),
Construction	Aluminum & Glass; IP66 (module)

FIXTURE DISTINGUISHING FEATURES

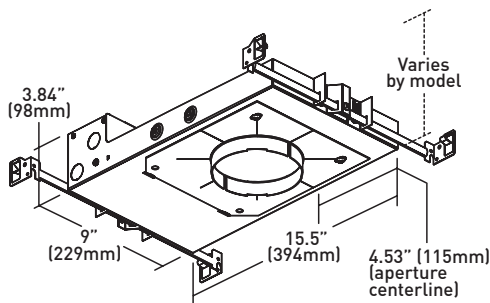
Construction	Die-cast aluminum baffle
Finishes	Granulated powder coat, platings or treated metals
Aperture	Tapered; deeply regressed light source
Cut-Off Angle	Minimum 40° to light source
Adjustment	Hot-Aim: 45° tilt and 361° rotation
Light Tuning	Accepts up to 2 effects devices

page 1

Do not install in environments where ambient temperatures exceed 40°C. Transformer compartment and all splice connections may be serviced from room side. Hanger bars included with housings and mounting trays.

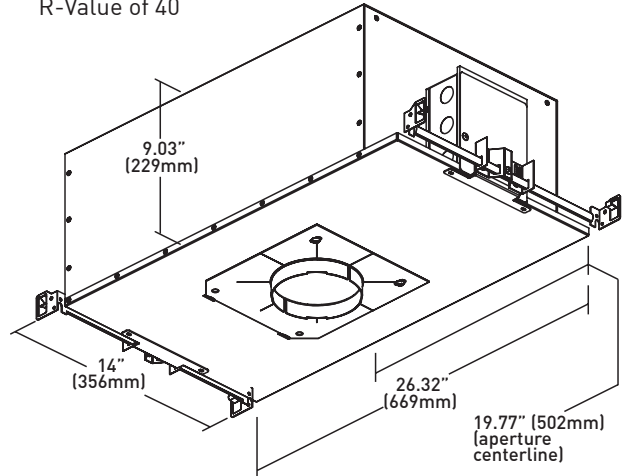
NON-IC MOUNTING TRAY

- For non-IC ceilings
- Metal conduit protected wiring and quick-connect conduit plug between fixture and power supply on tray/ junction box assembly
- Hanger bars may be fitted to short or long side of tray and may be field cut/ narrowed
- Minimum setback from tray sides to combustible materials:
 - 3/4" (19mm) from each long side
 - 2" (51mm) from each short side
- Minimum 3" (76mm) setback from insulation material having max R-Value of 30 on all sides and top of tray and downlight fixture assembly; minimum 6" (152mm) from polycell spray-in foam insulation having max R-Value of 40



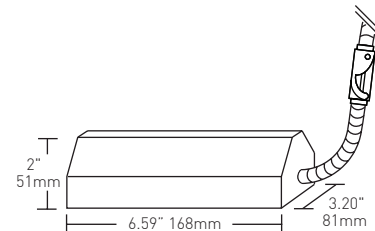
IC HOUSING

- For IC, Airtight, CCEA ceilings
- Chicago Plenum & ASTM E283 Airtight rated
- Only for use with 8013 and 8022 configurations
- **WARNING:** Polycell spray-in foam insulation having max R-Value of 40 requires setback of 3" (76mm) from all sides and top of IC housing; **NOTE:** Consult factory for spacing requirements for any installations exceeding R-Value of 40



TETHERED POWER SUPPLY "RM" FIXTURE

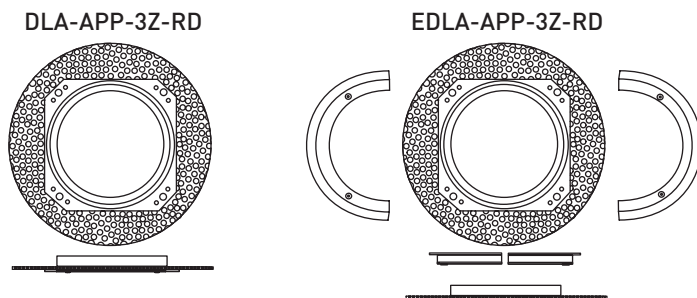
- For non-IC or remodel ceilings
- Mounts without conventional housing
- Tethered power supply/ junction box with metal conduit protected wiring and quick-connect plug between fixture and power supply
- Ceiling mounted appliqué or collar must also be specified
- Minimum 2.53" (64mm) setback from combustible materials on all sides
- Minimum 5.03" (128mm) setback from insulation material having max R-Value of 30 on all sides and top of tray and downlight fixture assembly; minimum 6" (152mm) from polycell spray-in foam insulation having max R-Value of 40



ZERO-SIGHTLINE

An appliqué is necessary to complete a zero-sightline installation. When installed according to manufacturer's installation instructions and when ceiling conditions are met, the fixture is flush with the ceiling plane.

- Mounting trays and housings use model DLA-APP-3Z-RD
- RM fixtures use model EDLA-APP-3Z-RD



FLANGE OVERLAY

Fixture overlays the ceiling plane.

- Mounting trays and housings accommodate flange overlay installation
- RM fixtures use model EDL-3F. (Lucifer Lighting recommends that the edge of the ceiling cutout be beveled to ensure proper fit.)

